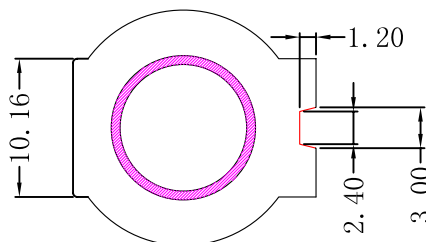
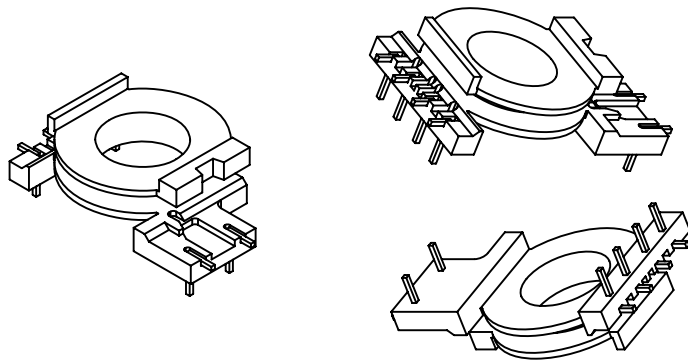
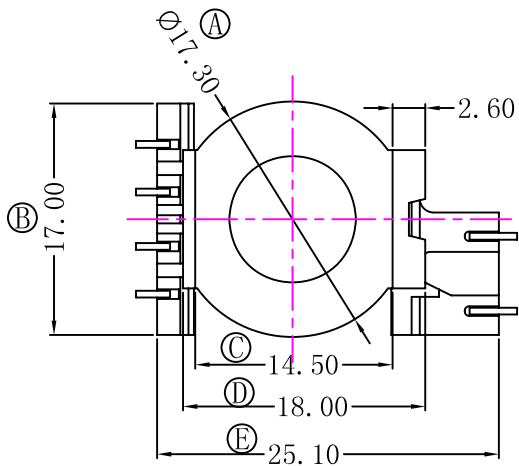
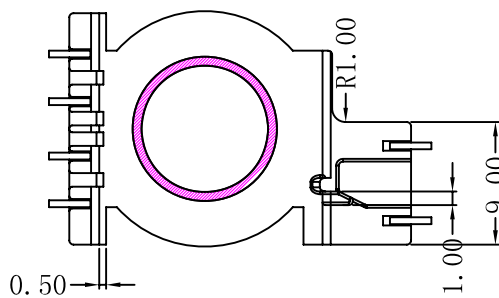
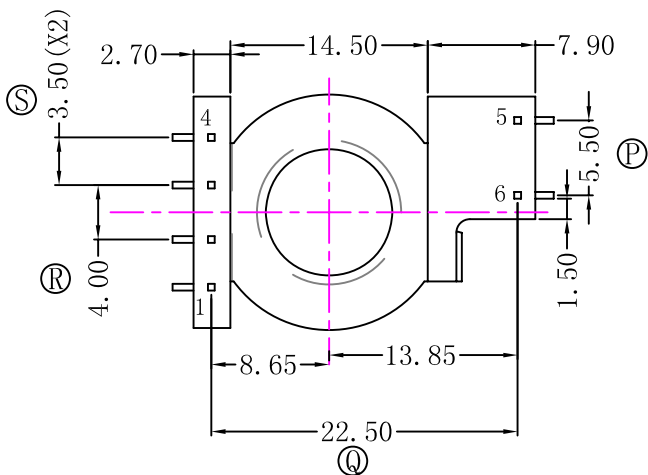
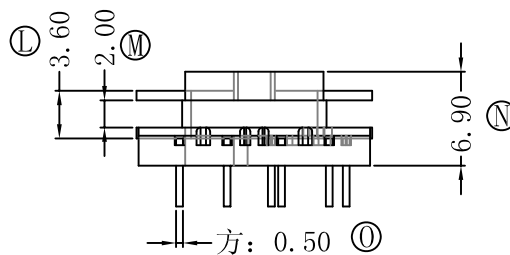
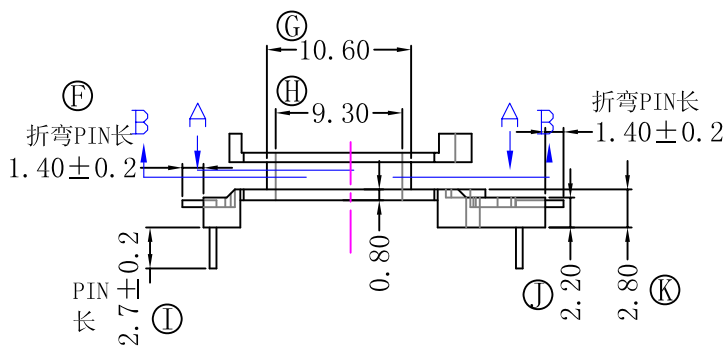


型号

EIR-2019



SEC. B-B



SEC. A-A

REV	DATE	REVISIONS	REC

深圳市捷达成电子有限公司

SHENZHEN JIE DA CHENG ELECTRONICS CO.,LTD.
TEL:0755-27317730 FAX:0755-27317731

ANGLE:
+/-1°

MODEL NAME:
EIR-2019 4+2PIN

UNIT:
MM

UL REC:
UL 94V-0

BOBBIN MATERIAL:
PHENOLIC

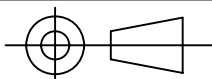
SCALE:
4/1

PIN TENSION LOAD:
1.0KG MIN

PIN MATERIAL:
CP WIRE

DRAFTER L.R.J

TOLERANCE	
0<L<4	±0.1
4<L<16	±0.2
16<L<50	±0.3
PIN PITCH	±0.2



DATE:
2015-10-27

DRAWING NO:
EIR-20

REV:
1.0

CHECKER Y.F.