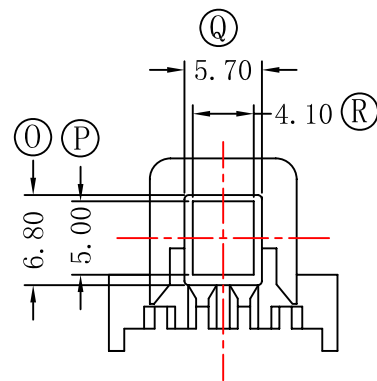
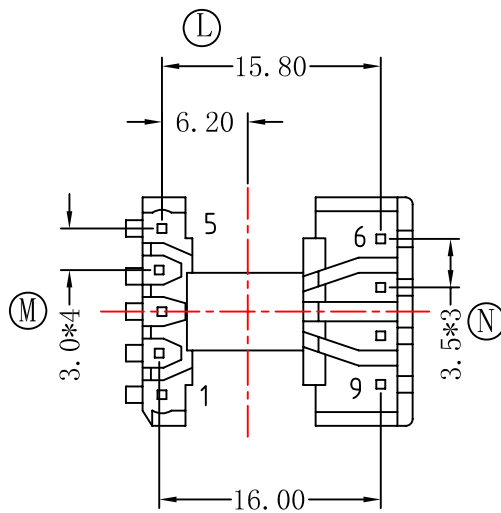
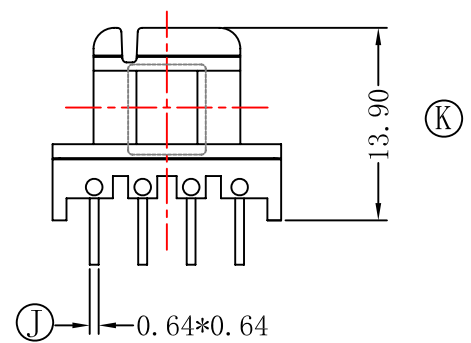
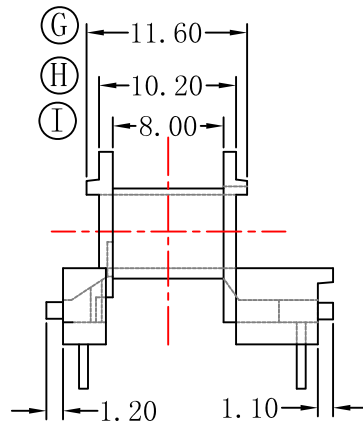
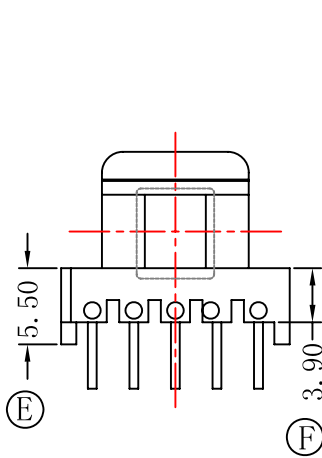
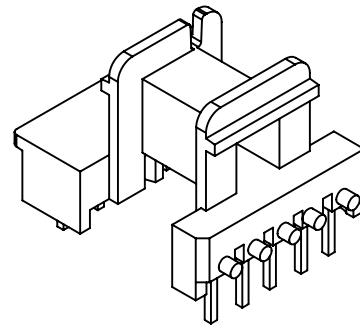
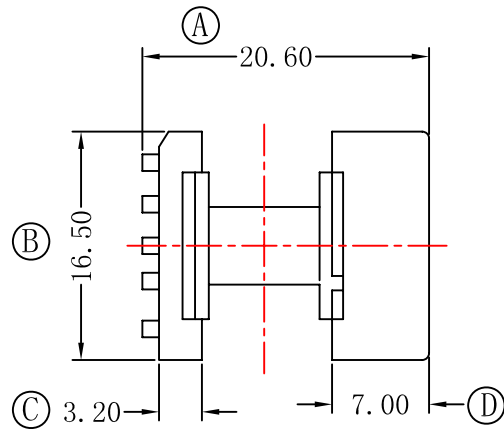


型号

EE-1623



REV	DATE	REVISIONS REC
1	12-10-16	宽PIN边加四个凸点
2	12-12-16	H尺寸由9.9改为10.2
3	12-12-16	R尺寸由4.3改为4.1
4	12-12-16	P尺寸由5.2改为5.0

深圳市捷达成电子有限公司

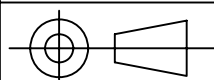
SHENZHEN JIE DA CHENG ELECTRONICS CO.,LTD.

TEL:0755-27317730 FAX:0755-27317731

ANGLE:
+/-1°

UNIT:
MM

SCALE:
4/1



MODEL NAME:
EI-1623 5+4PIN

UL REC:
UL 94V-0

PIN TENSION LOAD:
1.0KG MIN

DATE:
2014-3-17

BOBBIN MATERIAL:
PHENOLIC

PIN MATERIAL:
CP WIRE

DRAWING NO:
EI-1623

REV:
1.0

DRAFTER L.R.J

CHECKER Y.F.

TOLERANCE

0<L<4	±0.1
4<L<16	±0.2
16<L<50	±0.3
PIN PITCH	±0.2