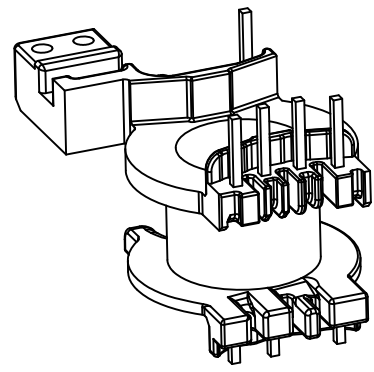
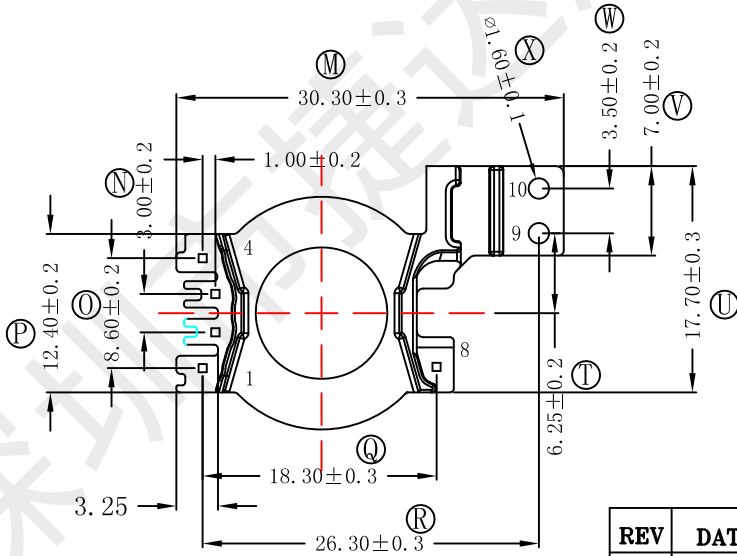
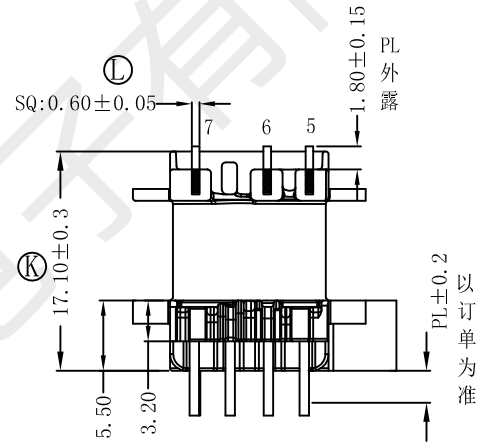
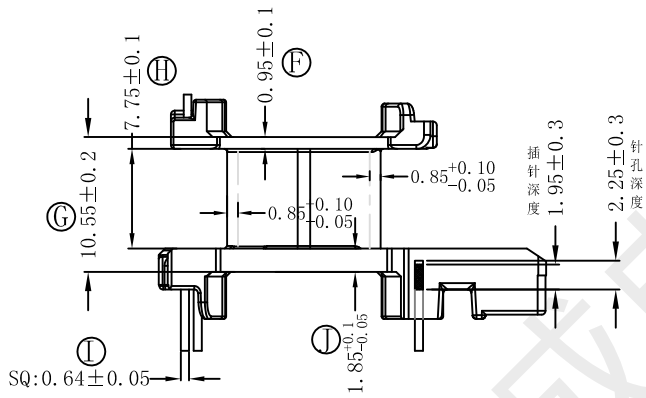
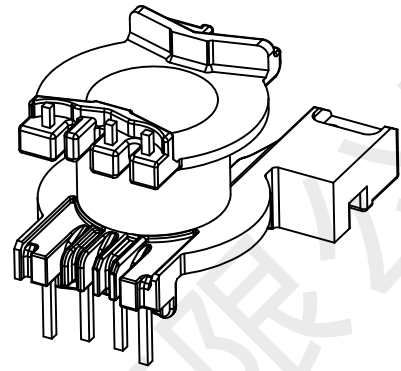
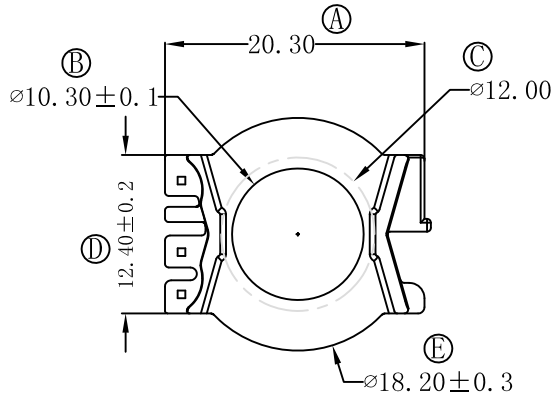


型号

PQ-2311



| REV | DATE | REVISIONS REC |
|-----|------|---------------|
| | | |
| | | |
| | | |

深圳市捷达成电子有限公司

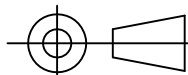
SHANZHEN JIEDACHENG ELECTRONICS CO.,LTD.

TEL:0755-27317730 FAX:0755-27317731

ANGLE: $\pm 1^\circ$

UNIT: MM

SCALE: 4/1



MODEL NAME:

PQ-2311 5+3PIN

UL REC:

UL 94V-0

PIN TENSION LOAD:

1.5KG MIN

DATE:

2024-01-16

BOBBIN MATERIAL:

PM-9630

PIN MATERIAL:

CP WIRE

DRAWING NO:

PQ-23

REV:

1.0

DRAFTER

L.R.J

TOLERANCE

0<L<4 ±0.1

4<L<16 ±0.2

16<L<50 ±0.3

PIN PITCH ±0.2

CHECKER

Y.F.