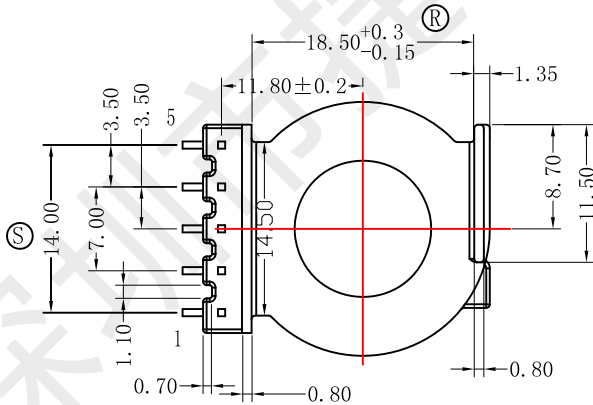
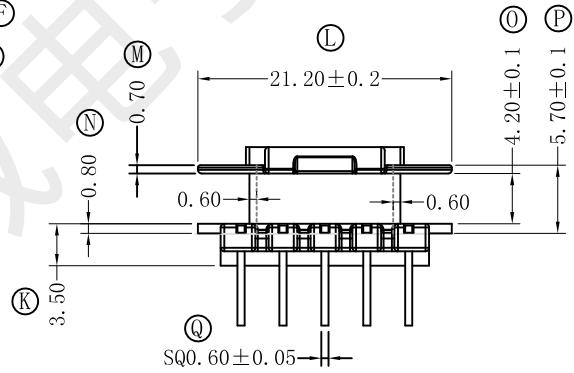
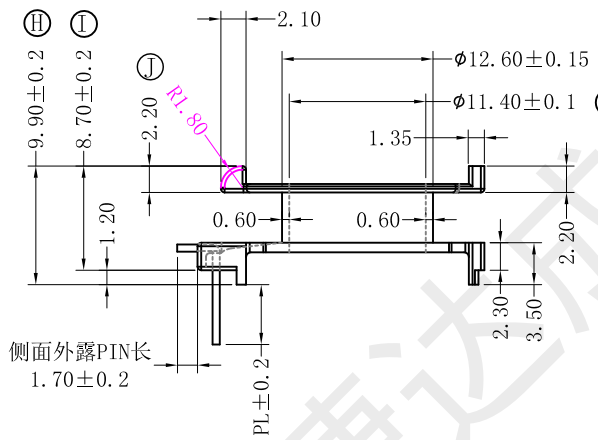
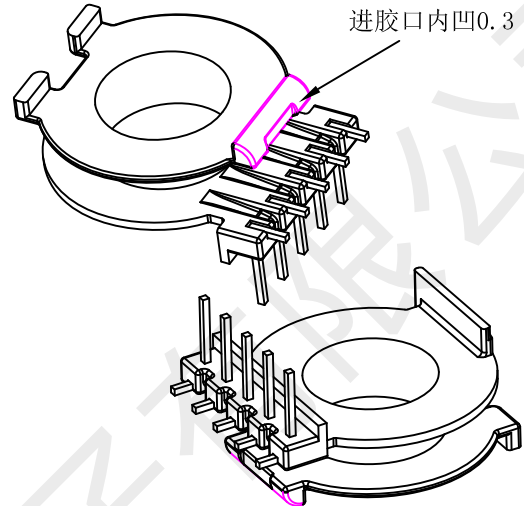
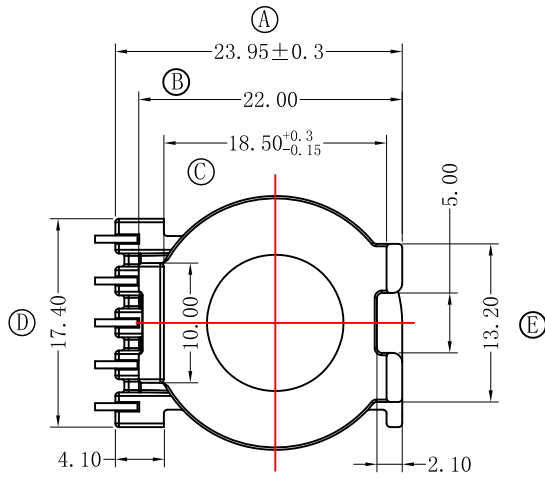


型号

EQ-2554



NOTE:

- 1.任意一點強度須1.5kg MIN;
- 2.耐壓4.0Kv /1.5mA 60S;
- 3.焊錫溫度:450°±10° 3SEC
- 4.焊錫前推力:1.0KG MIN,焊錫後推力:1.5KG MIN;

REV	DATE	REVISIONS REC

深圳市捷达成电子有限公司

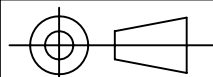
SHANZHEN JIEDACHENG ELECTRONICS CO.,LTD.

TEL:0755-27317730 FAX:0755-27317731

ANGLE:
+/-1°

UNIT:
MM

SCALE:
4/1



MODEL NAME:
EQ-2554 5PIN

UL REC:
UL 94V-0

PIN TENSION LOAD:
1.0KG MIN

DATE:
2023-05-22

BOBBIN MATERIAL:
PM-9630

PIN MATERIAL:
CP WIRE

DRAWING NO:
EQ-25

REV:
1.0

DRAFTER L.R.J

CHECKER Y.F.

TOLERANCE
0<L<4 ±0.1
4<L<16 ±0.2
16<L<50 ±0.3
PIN PITCH ±0.2