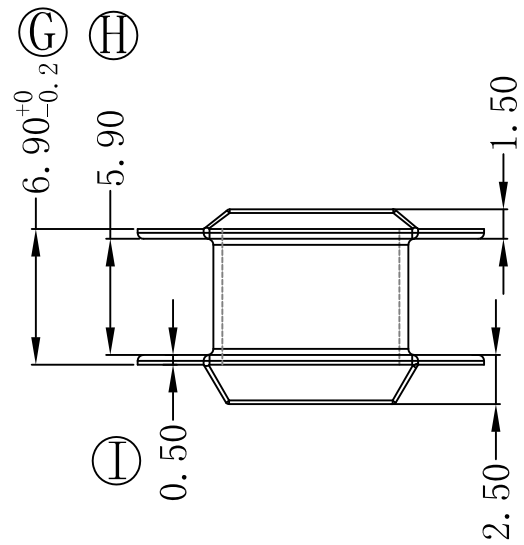
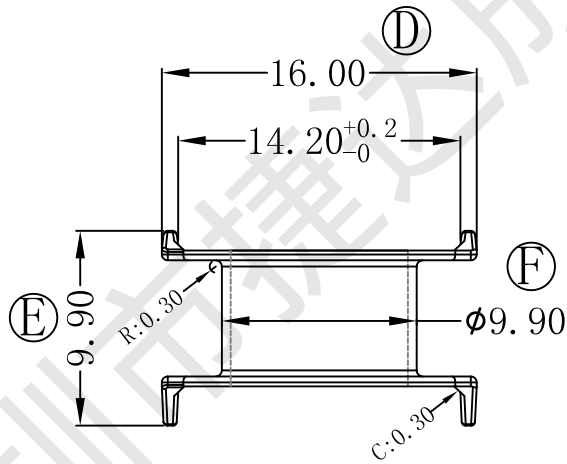
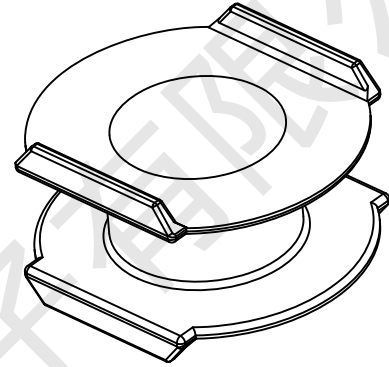
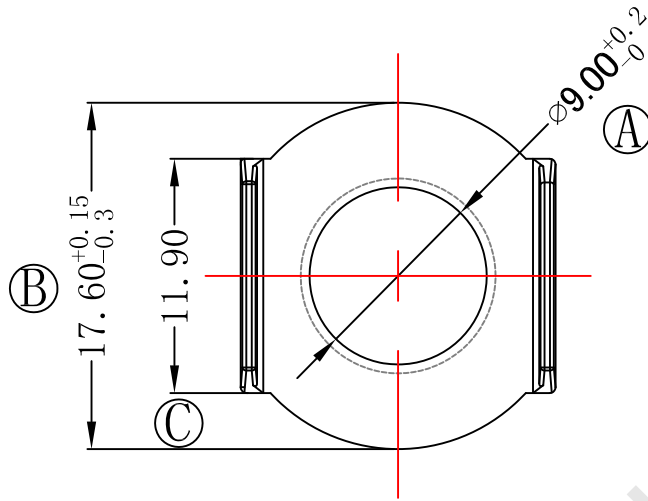


型号

EQ-2055



REV	DATE	REVISIONS REC

深圳市捷达成电子有限公司

SHANZHEN JIEDACHENG ELECTRONICS CO.,LTD.

TEL:0755-27317730 FAX:0755-27317731

ANGLE:
+/-1°

MODEL NAME:

EQ-2055

UNIT:
MM

UL REC:

UL 94V-0

BOBBIN MATERIAL:

PM-9630

DRAFTER

L.R.J

TOLERANCE

0<L<4 ±0.1

4<L<16 ±0.2

16<L<50 ±0.3

PIN PITCH ±0.2

SCALE:

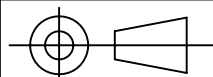
4/1

PIN TENSION LOAD:

PIN MATERIAL:

CHECKER

Y.F.



DATE:

2021-08-05

DRAWING NO:

EQ-2055

REV:

1.0