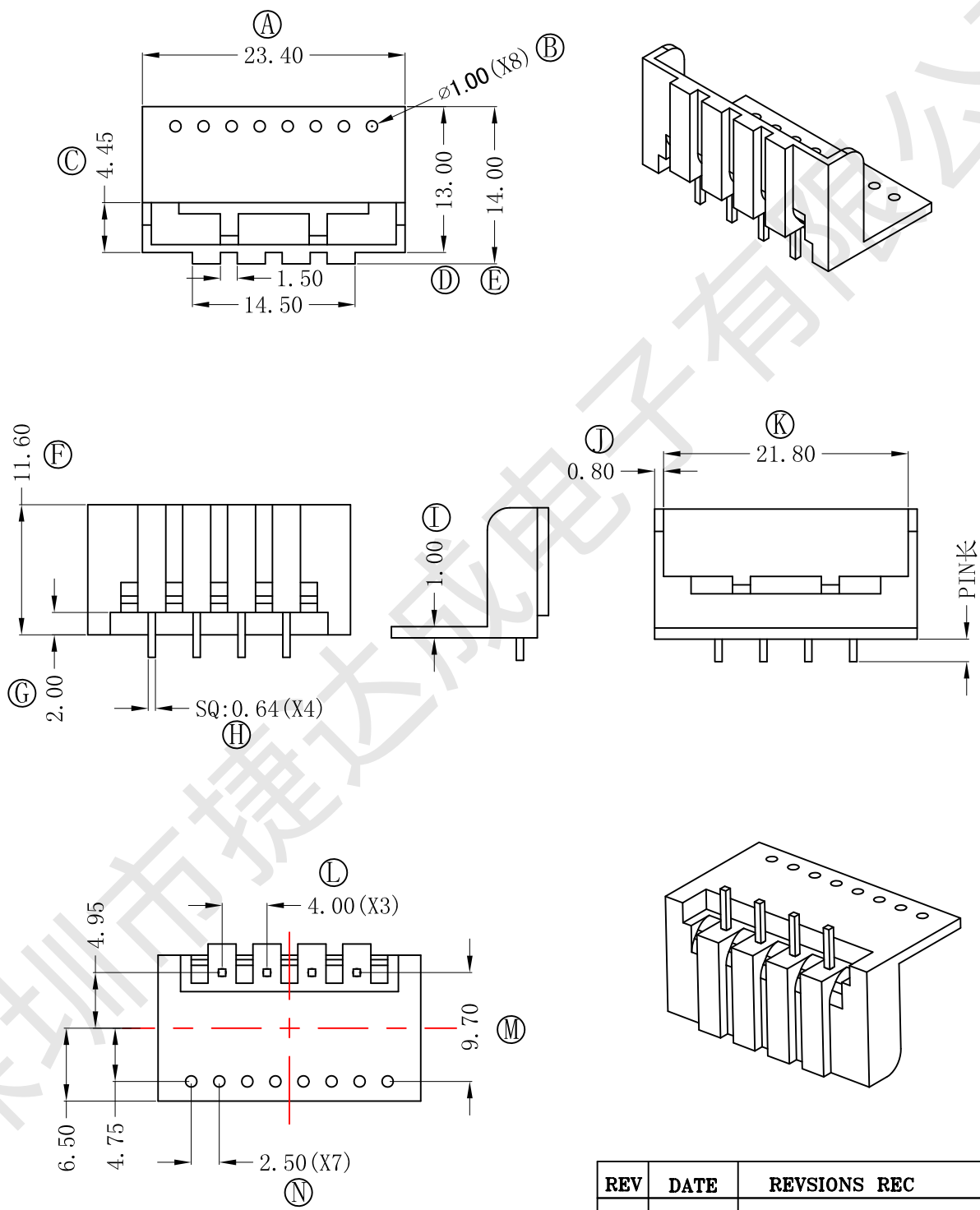


型号

ATQ-2101-1



| REV | DATE | REVISIONS REC |
|-----|------|---------------|
| | | |
| | | |
| | | |
| | | |

| | | | | | |
|---|--|-----------------|--------------------------------|--------------------------------------|-------------|
| 深圳市捷达成电子有限公司 SHANZHEN JIEDACHENG ELECTRONICS CO.,LTD. TEL:0755-27317730 FAX:0755-27317731 | | ANGLE: +/-1° | | MODEL NAME: ATQ-2101-1 4PIN COVER | |
| | | UNIT: MM | UL REC: UL 94V-0 | BOBBIN MATERIAL: PM-9823 | |
| DRAFTER L.R.J | TOLERANCE 0<L<4 ±0.1 4<L<16 ±0.2 16<L<50 ±0.3 PIN PITCH ±0.2 | SCALE: 4/1 | PIN TENSION LOAD: 1.0KG MIN | PIN MATERIAL: CP WIRE | |
| CHECKER Y.F. | | | DATE: 2022-10-07 | DRAWING NO: ATQ-21 COVER | REV: 1.0 |