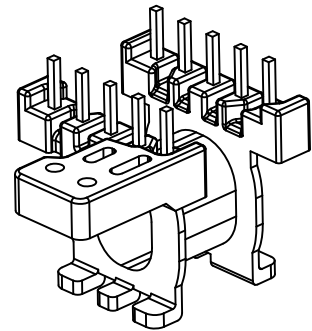
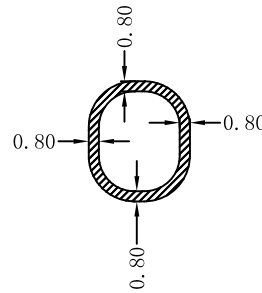
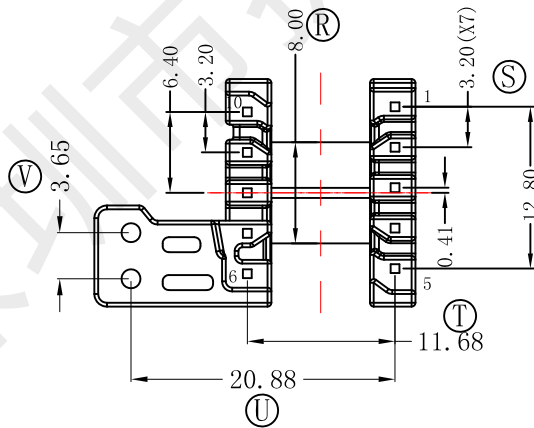
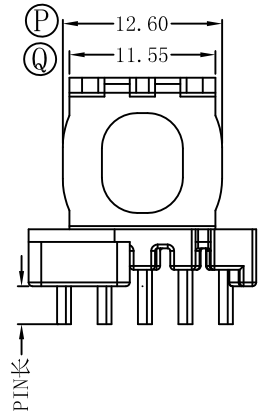
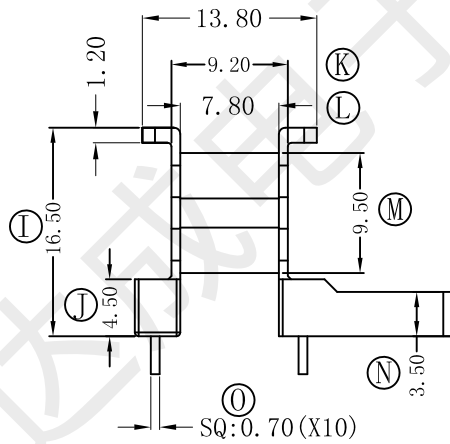
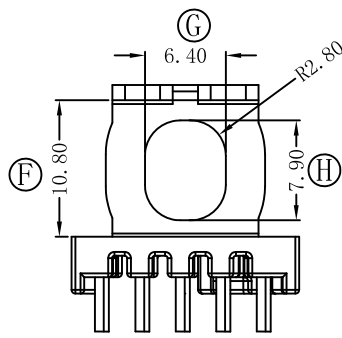
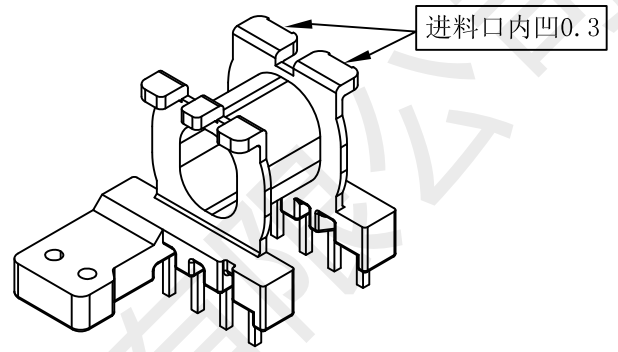
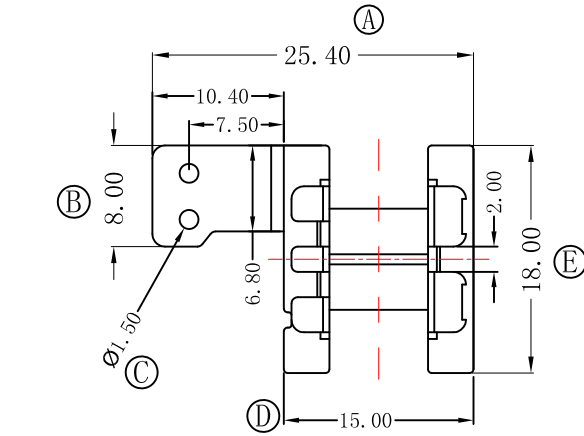


型号

ATQ-1704



注：改模前产品消化完后自然切换改模后产品

REV	DATE	REVISIONS REC
1	23-2-23	次级飞线孔直径2.40改为1.50

深圳市捷达成电子有限公司

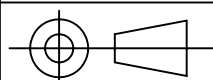
SHANZHEN JIEDACHENG ELECTRONICS CO.,LTD.

TEL:0755-27317730 FAX:0755-27317731

ANGLE:
+/-1°

UNIT:
MM

SCALE:
4/1



MODEL NAME:

ATQ-1704 5+5PIN

UL REC:
UL 94V-0

PIN TENSION LOAD:
1.0KG MIN

DATE:
2023-02-23

BOBBIN MATERIAL:

PM-9630

PIN MATERIAL:

CP WIRE

DRAWING NO:

ATQ-17

REV:

1.1

DRAFTER

L.R.J

TOLERANCE

0<L<4 ±0.1

4<L<16 ±0.2

16<L<50 ±0.3

PIN PITCH ±0.2

CHECKER

Y.F.